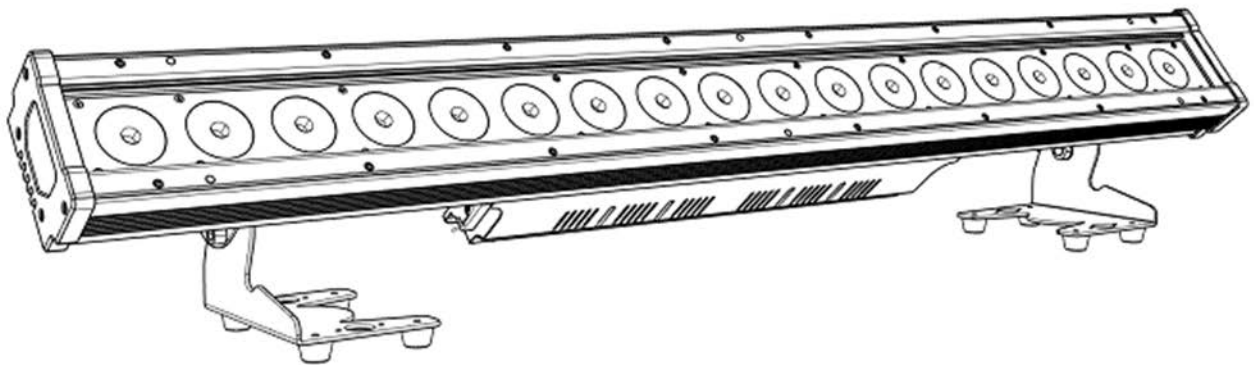




LINEAR-PL005A

Waterproof LED Pixel Bar wall washer
OLED SCREEN

User Instructions



Unpacking: Thank you for purchasing the LINEAR PL005A by PLUSLITE Products. Every LINEAR PL005A has been thoroughly tested and has been shipped in perfect operating condition. Carefully check the shipping carton for damage that may have occurred during shipping. If the carton appears to be damaged, carefully inspect your fixture for any damage and be sure all accessories necessary to operate the unit has arrived intact. In the case damage has been found or parts are missing, please contact our toll free customer support number for further instructions. Do not return this unit to your dealer without first contacting customer support.

Introduction: The LINEAR PL005A is a DMX intelligent, IP rated LED par fixture. This fixture can be used in a stand alone mode or connected in a Master/Slave configuration or sound active mould,auto run mode. This par has multiple operating modes: RGBWA UV dimmer mode, Static. ***This product is intended to be used by professionally trained personnel only and is not suitable for private use.***

These instructions contain important safety information regarding the use and maintenance of this unit. Please keep this manual with the unit, for future reference.

Caution! There are no user serviceable parts inside this unit. Do not attempt any repairs yourself, doing so will void your manufactures warranty. In the unlikely event your unit may require service please contact us.

PLEASE recycle the shipping carton when ever possible.

LINEAR-PL005A

Synopsis

- Multi Colors Dimmer RGBWA + UV 6in1 LED(Pixel)
- Multi Operating Modes
- Linear Dimming 0-100%
- DMX-512 protocol
- DMX Function: Single pixel control,stroke,dimmer,static color ,color macro,color
- DMX In/out: XLR 3pin power in/out: PowerCON connector
- DMX mode: 11/29/108/119CH;
- OLED Display
- Multiple Unit Power Linking

LINEAR - PL005A

Warranty Registration

The LINEAR PL005A carries a 2 years limited warranty. Please fill out the enclosed warranty card to validate your purchase. All returned service items whether under warranty or not, must be freight pre-paid and accompany a return authorization (R.A.) number. The R.A. number must be clearly written on the out- side of the return package. A brief description of the problem as well as the R.A. number must also be written down on a piece of paper included in the shipping carton. If the unit is under warranty, you must provide a copy of your proof of purchase invoice. You may obtain a R.A. number by contacting. our customer support team on our customer support number. All packages returned to the service department not displaying a R.A. number on the outside of the package will be returned to the ship- per.

LINEAR-PL005A

Installation

The product is easy to install: plastic pads can be installed, can also be fixed on the ground with screws, but also can add a hook hanging. Foot stand 135degree movement with strong balance, can be placed on floor and hooked easily, hex stainless steel screw. Precise positioning!

The standard Angle of the product is 45°, which can be changed by adding a filter to provide multiple degrees for reference; Magnet diffuser never worry, if it will loose? -- answer no,because already in the light fixture has Hidden magnets are very strong!

It can add barndoor - one - side or two side.

Special requirements: when do installing, in order to unify the horizontal line of the product, special connectors can be installed at the connection between the product and the product, and the seamless connection is beautiful and elegant.

The equipment must be installed by a professional, and it must be installed in a place where it is out of the reach of people's grasp.

Ensure ALL connections and end caps are properly sealed with a non-conductive dielectric grease (available at most electrical suppliers) to prevent water ingress/condensation and/or corrosion

LINEAR- PL005A

Safety Guidelines

- Do not attempt to operate this unit if the power cord has been frayed or broken. Do not attempt to remove or break off the ground prong from the electrical cord. This prong is used to reduce the risk of electrical shock and fire in case of an internal short.
- Disconnect from main power before making any type of connection.
- Do not remove the cover under any conditions. There are no user serviceable parts inside.
- Never operate this unit when it's cover is removed.
- Never plug this unit in to a dimmerpack

- Always be sure to mount this unit in an area that will allow proper ventilation. Allow about 6” (15cm) between this device and a wall.
- Do not attempt to operate this unit, if it becomes damaged.
- During long periods of non-use, disconnect the unit’s mainpower.

- Always mount this unit in safe and stable matter.
- Power-supply cords should be routed so that they are not likely to be walked on or pinched by items placed upon or against them, paying particular attention to the point they exit from the unit.
- Cleaning -The fixture should be cleaned only as recommended by the manufacturer. See page 24 for cleaning details.
- Heat -The appliance should be situated away from heat sources such as radiators, heat registers, stoves, or other appliances (including amplifiers) that produce heat.
- The fixture should be serviced by qualified service personnel when:
 - A. The power-supply cord or the plug has been damaged.
 - B. Objects have fallen, or liquid has been spilled into the fixture.
 - C. The fixture does not appear to operate normally or exhibits a marked change in performance.
 - D. The fixture has fallen and/or subjected to extreme handling.

IP RATED

An IP rated lighting fixture is one, which is commonly installed in outdoor environments and has been designed with an enclosure that effectively water. The **International Protection (IP)** rating system is commonly expressed as "**IP**" (Ingress Protection) followed by two numbers (i.e. IP65) where the numbers define the degree of protection. The first digit (Foreign Bodies Protection) indicates the extent of protection against particles entering the fixture and the second digit (Water Protection) indicates the extent of protection against water entering the fixture. An IP rated lighting fixture is one, which has been designed and tested to protect against the ingress of dust (6) and low-pressure water jets from any direction (5).

MARINE/COASTAL ENVIRONMENT INSTALLATIONS!



Please note although this fixture is IP rated, the fixture is **NOT** suitable for marine and/or coastal environment installations. Installing this fixture in a marine and/or coastal environment may cause corrosion and/or excessive wear to the interior and/or exterior components of the fixture. Damages and/or performance issues resulting from installation in a marine and/or coastal environment will void the manufactures warranty and will **NOT** be subject to any warranty claims and/or repairs.

**Display Parts:****A B C D**

- A. MENU key
- B. UP key
- C. DOWN key
- D. ENTER key

MENU : ModeSetting Key

UP : Parameter Settings Key. parameters add

DOWN : Parameter Settings Key. parameters sub

ENTER : Data Save Key.

DMX-512: DMX is short for Digital Multiplex. This is a universal protocol used as a form of communication between intelligent fixtures and controllers. A DMX controller sends DMX data instructions from the controller to the fixture. DMX data is sent as serial data that travels from fixture to fixture via the DATA “IN” and DATA “OUT” XLR terminals located on all DMX fixtures (most controllers only have a DATA “OUT” terminal).

DMX Linking: DMX is a language allowing all makes and models of different manufactures to be linked together and operate from a single controller, as long as all fixtures and the controller are DMX compliant. To ensure proper DMX data transmission, when using several DMX fixtures try to use the shortest cable path possible. The order in which fixtures are connected in a DMX line does not influence the DMX addressing. For example; a fixture assigned a DMX address of 1 may be placed anywhere in a DMX line, at the beginning, at the end, or anywhere in the middle. When a fixture is assigned a DMX address of 1, the DMX controller knows to send DATA assigned to address 1 to that unit, no matter where it is located in the DMX chain.

Data Cable (DMX Cable) Requirements (For DMX Operation): The PL005A can be controlled via DMX-512 protocol. The PL005A has DMX channel modes 6/8/11/108/110. The DMX address is set on the back panel of the PL005A. Your unit and your DMX controller require a standard 3-pin XLR connector for data input and data output. We recommend Accu-Cable DMX cables. If you are making your own cables, be sure to use standard 110-120 Ohm shielded cable (This cable may be purchased at almost all pro lighting stores).

Notice: Be sure to follow figures two and three when making your own cables. Do not use the ground lug on the XLR connector. Do not connect the cable’s shield conductor to the ground lug or allow the shield conductor to come in contact with the XLR’s outer casing. Grounding the shield could cause a short circuit and erratic behavior.

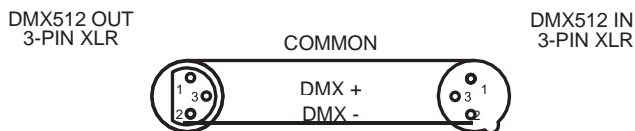


Figure 1

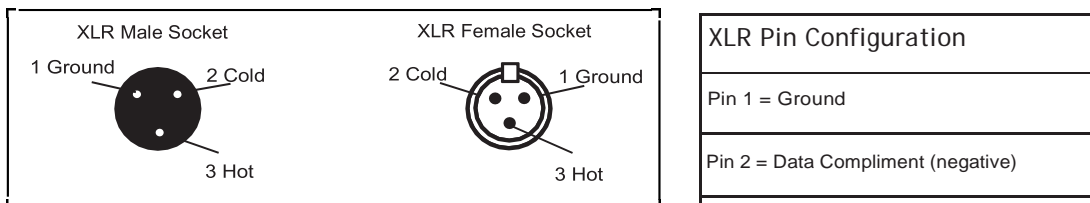


Figure 2

Display	Function	Index
Mode:DMX Addr:001	DMX mode/master and slave DMX address	1~512
Mode:CH 06CH	DMX mode/master and slave Channel option	6/8/11/108/110
Mode:Led Mode:01	Effect mode	1~25
Mode:SP Mode:50	Effect speed	00~99(50)
Mode:BE Sound:15	Sound active	00~20
Mode:Dim LedR:255	Red dimmer	000~255
Mode:Dim LedG:000	Green dimmer	000~255
Mode:Dim LedB:000	Blue dimmer	000~255
Mode:Dim LedW:000	White dimmer	000~255
Mode:Dim LedY:000	Amber dimmer	000~255
Mode:Dim LedP:000	Purple dimmer	000~255
Mode:ST Speed:00	Strobe speed	00~99
Setting Setting	Set	
	Display:	ON/OFF
	Dmx Fail:	Hold/Blackout

6CH :		
Channel list	Function	Index
CH1	Red dimmer	0~255
CH2	Green dimmer	0~255
CH3	Blue dimmer	0~255
CH4	White dimmer	0~255
CH5	Yellow dimmer	0~255
CH6	Purple dimmer	0~255

8CH		
Channel list	Function	Index
CH1	Dimmer	0~255
CH2	Strobe	0~255
CH3	Red dimmer	0~255
CH4	Green dimmer	0~255
CH5	Blue dimmer	0~255
CH6	White dimmer	0~255
CH7	Yellow dimmer	0~255
CH8	Purple dimmer	0~255

11CH		
Channel list	Function	Index
CH1	Function	0~255
CH2	Dimmer	0~255
CH3	Dimmer	0~15
	Effect 1	16~25
	Effect 2	26~35
	Effect 3	36~45

 Effect 22 Marco sound active 226~235 236~245 246~255
CH4	Mode speed/marco color	0~255
CH5	Mode effect direction	0~127 : left to right 128~255:right to left
CH6	Red dimmer	0~255
CH7	Green dimmer	0~255
CH8	Blue dimmer	0~255
CH9	White dimmer	0~255
CH10	Yellow dimmer	0~255
CH11	Purple dimmer	0~255

108CH :		
Channel list	Function	Index
CH1	R1 Dimmer	0~255
CH2	G1 Dimmer	0~255
CH3	B1 dimmer	0~255
CH4	W1 dimmer	0~255
CH5	Y1 dimmer	0~255
CH6	P1 dimmer	0~255
...		
CH107	Y18 dimmer	0~255
CH108	P18 dimmer	0~255

110CH		
Channel list	Function	Index
CH1	Dimmer	0~255
CH2	Strobe	0~255
CH3	R1 dimmer	0~255
CH4	G1 dimmer	0~255
CH5	B1 dimmer	0~255
CH6	W1 dimmer	0~255
CH7	Y1 dimmer	0~255
CH8	P1 dimmer	0~255
...		
CH109	Y18 dimmer	0~255
CH110	P18 dimmer	0~255

Master-Slave Configuration:

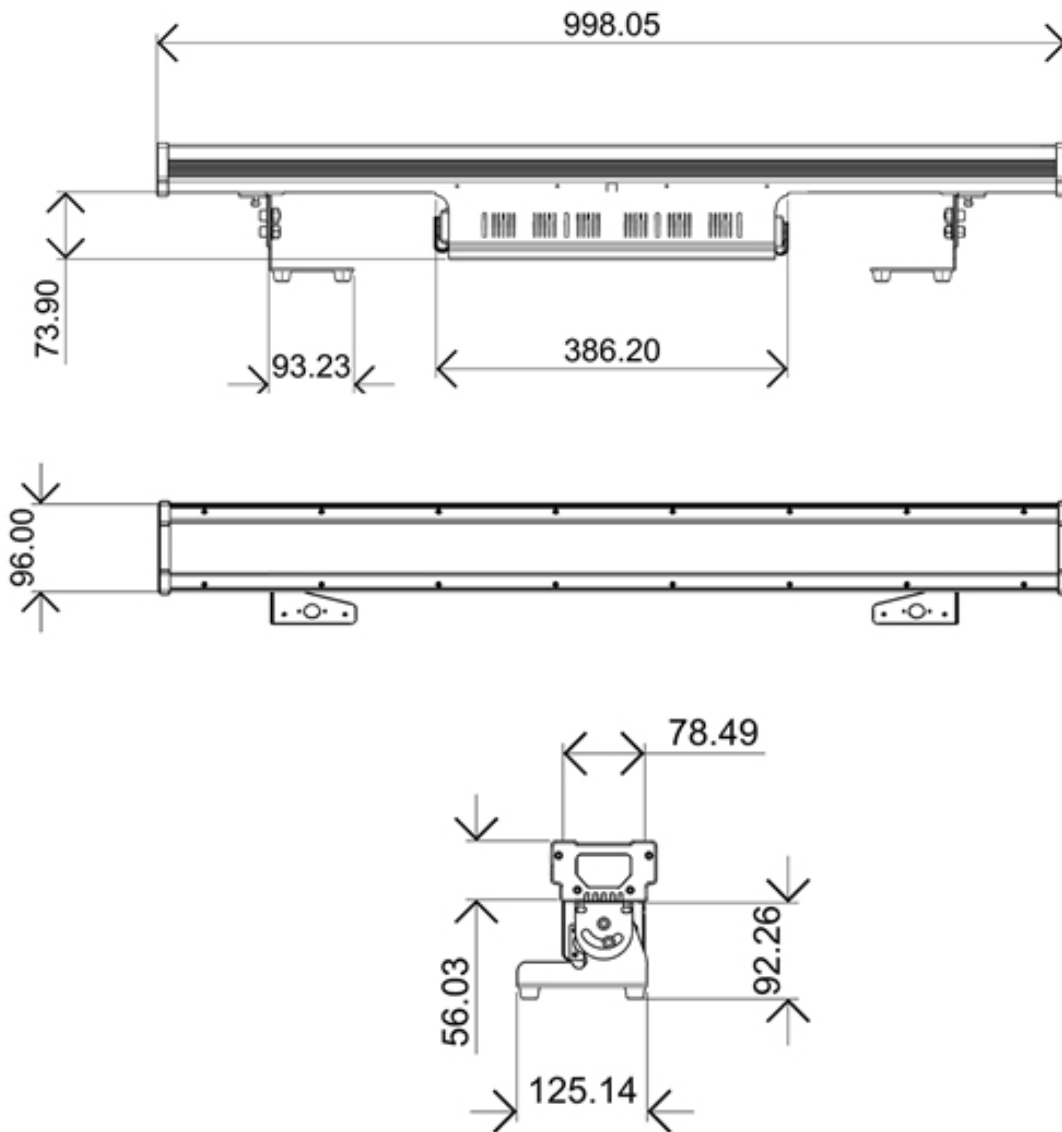
This function will allow you to link units together to run in a Master-Slave set-up. In a Master-Slave set up one unit will act as the controlling unit and the others will react to the controlling units built-in programs. Any unit can act as a Master or as a Slave however, only one unit can be programmed to act as the “Master.”

Master-Slave Connections and Settings:

1. Daisy chain your units via the XLR connector on the rear of the unit. Use standard XLR data cables to link your units together. Remember that the Male XLR connector is the input and the Female XLR connector is the output. The first unit in the chain (master) will use the female XLR connector only. The last unit in the chain will use the male XLR connector only.
2. Connect the first “Slave” unit to the “Master.”

***NOT TO SCALE**

unit : mm



LINEAR-PL005A

With this feature you can connect the fixtures to one another using the power input and output sockets. The maximum that can be connected is 10 fixtures @ 110V and 20 fixtures @ 220V. Dmx connect Max 50pcs. After the maximum connected fixtures you will need to use a new power outlet.

NOTE: USE CAUTION WHEN POWER LINKING OTHER FIXTURES TO THE LINEAR-PL005A AS THE POWER CONSUMPTION OF OTHER LIGHTING FIXTURES WILL VARY!

LINEAR-PL005A

Trouble Shooting

Listed below are a few common problems the user may encounter, with solutions.

Unit not responding to DMX:

1. Check that the DMX cables are connected properly and are wired correctly (pin 3 is “hot”; on some other DMX devices pin 2 may be ‘hot’). Also, check that all cables are connected to the right connectors; it does matter which way the inputs and outputs are connected.

LINEAR-PL005A

Cleaning

Due to fog residue, smoke, and dust cleaning the internal and external optical lenses must be carried out periodically to optimize light output.

1. Use normal glass cleaner and a soft cloth to wipe down the outside casing.
2. Clean the external optics with glass cleaner and a soft cloth every 20 days.
3. Always be sure to dry all parts completely before plugging the unit back in.

Cleaning frequency depends on the environment in which the fixture operates (i.e. smoke, fog residue, dust, dew).

Model: LINEAR-PL005A



Voltage:	100V ~ 240V/50~60Hz
LEDs:	18x15W RGBWA + UV 6in1
IP Rating:	IP66
Working Position:	Any safe working position
Power Draw:	270W
Power Linking:	10 Fixtures Max. @ 110V 20 Fixtures Max. @ 220V
Weight:	9.5Kgs.
Dimensions:	L100x W12.5 x H15cm (include holder height)
Colors:	RGBWA + UV 6in1
DMX Channels:	Channel Mode 6/8/11/108/110
Warranty:	2 Year

Please Note: Specifications and improvements in the design of this unit and this manual are subject to change without any prior written notice.



<https://www.piu39av.com/pluslite-lighting/>